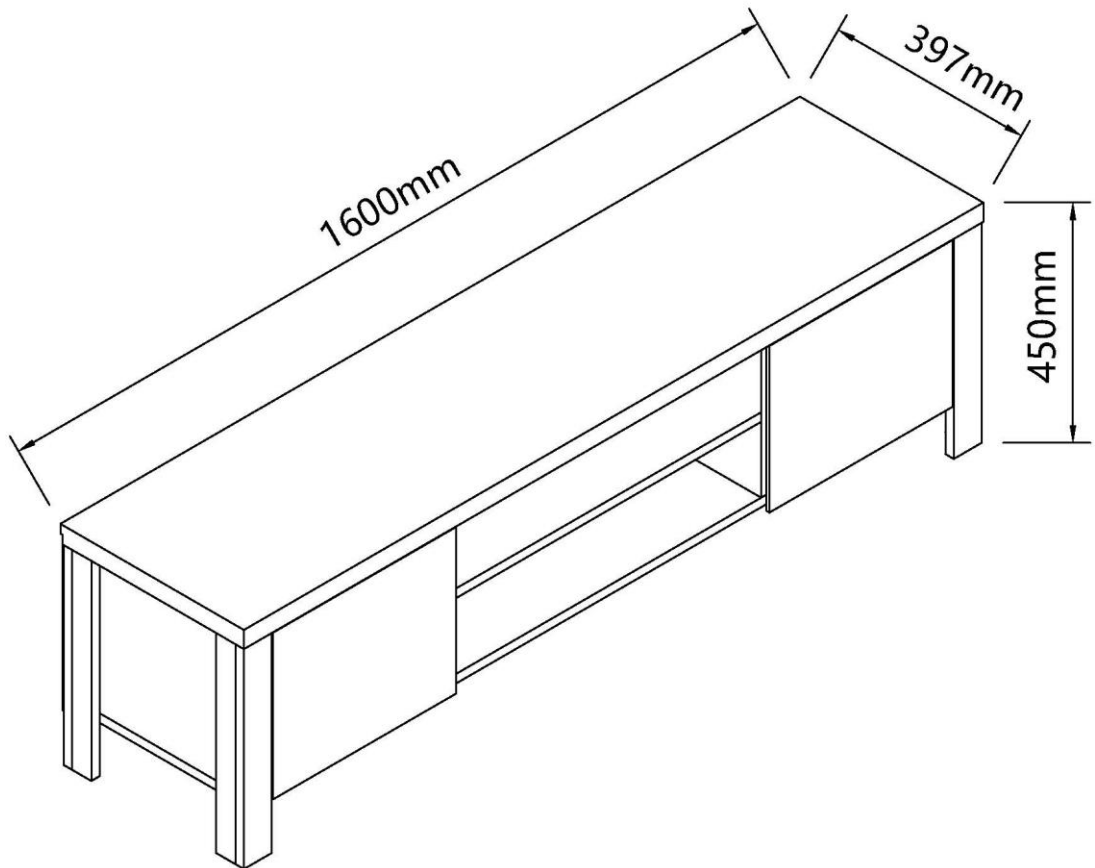


ASSEMBLY INSTRUCTION

MARCELLUS ENTERTAINMENT ETU

ITEM CODE 70902



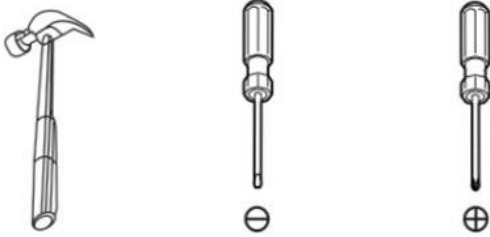


Imported by JWA Furniture Pty Ltd, Qld, Brisbane Australia.
For any assistance with assembly or for missing parts please refer to your receipt

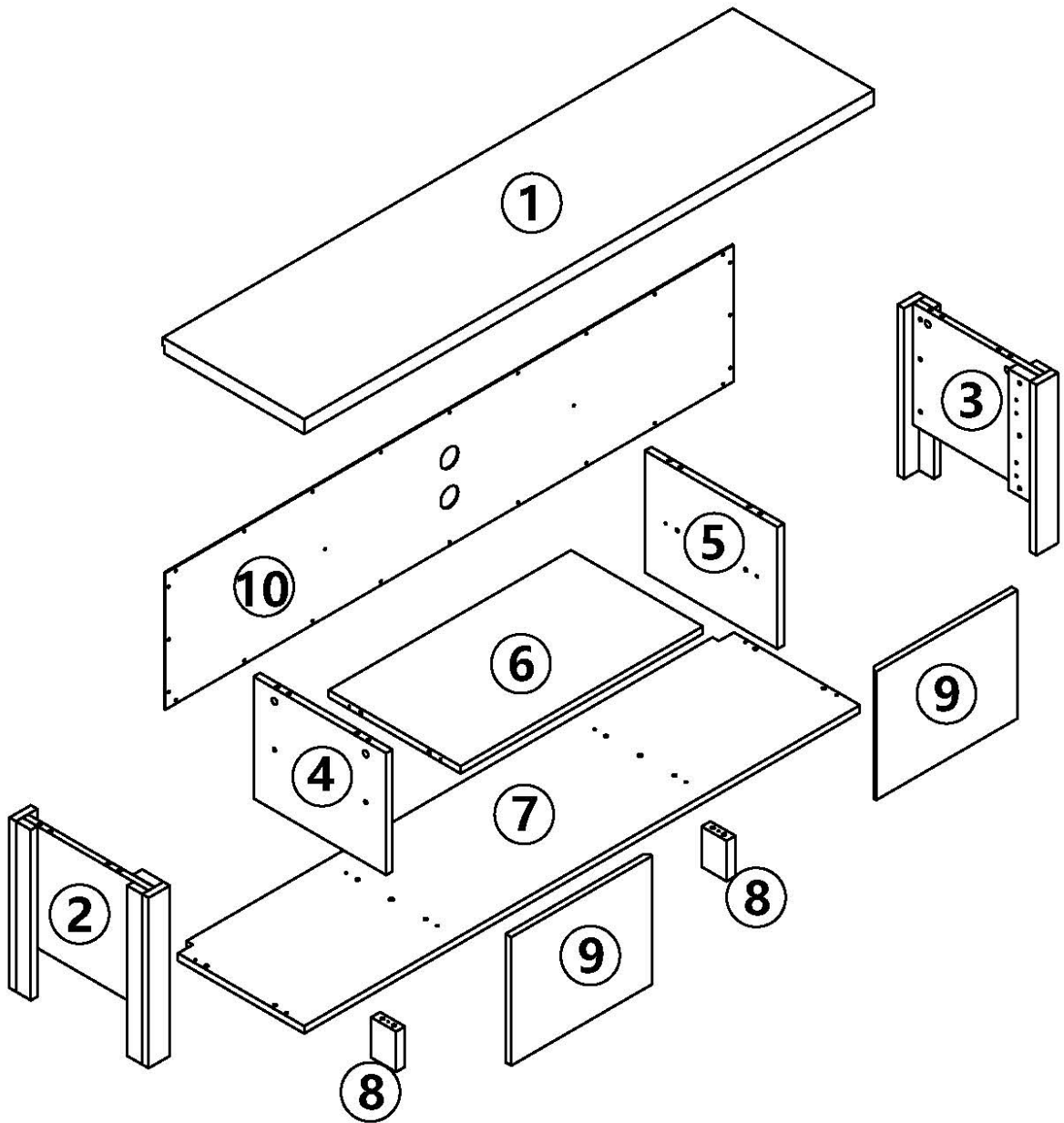
PRE-ASSEMBLY PREPARATION

Before you start:

1. Choose a clean, level, spacious assembly area. Avoid hard surfaces that may damage the product
2. Take care when lifting. Product should be assembled as near as possible to the point of use
3. Ensure that you have all required contents for complete assembly
4. Always read the assembly instructions carefully before beginning assembly.
5. Keep all hardware parts and packaging out of reach of small children.
6. Do not over tighten the screws and bolts as this may damage the threads
7. Assembly is to be carried out by a competent adult(s) ONLY
8. During assembly, children should be kept away from the product due to possible risk to injury.
9. Do not use this item if any components are missing or damaged.
10. Please keep the instructions for future reference.







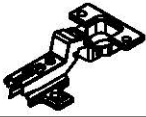

		
Allow 20 min	For 1 person	Additional tools required

PARTS LIST

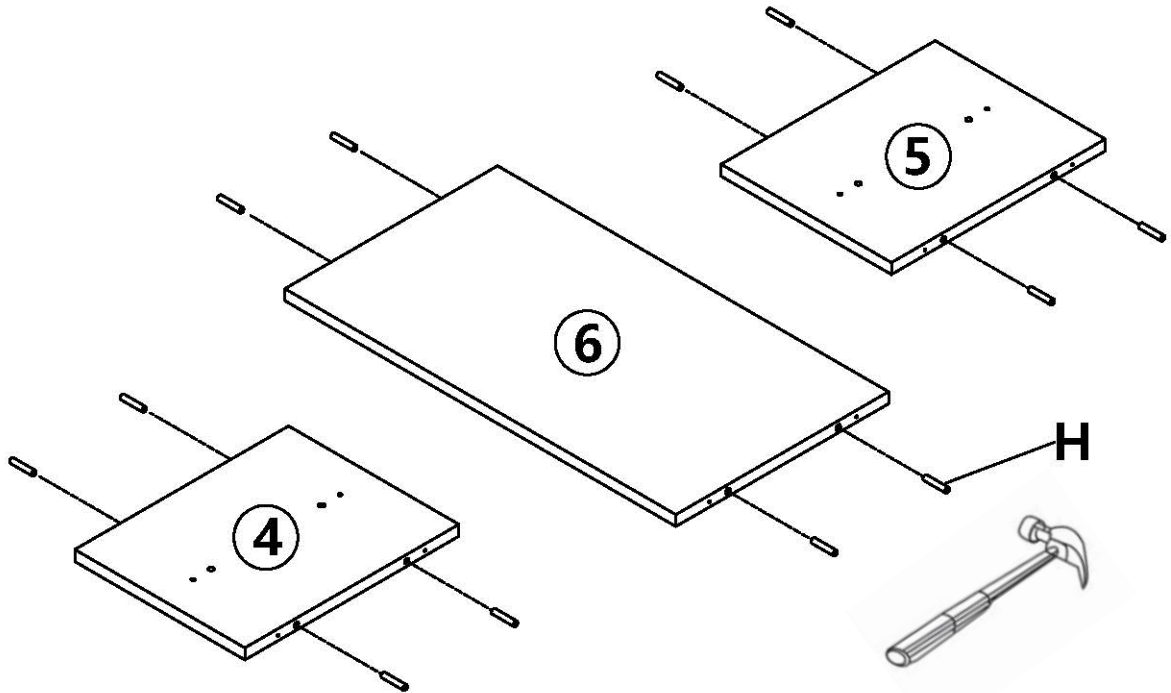
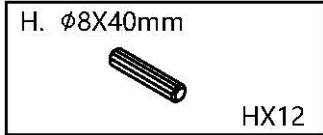


1	TOP PANEL
2	SIDE PANEL
3	SIDE PANEL
4	MIDDLE PANEL
5	MIDDLE PANEL

6	SHELF
7	BOTTOM PANEL
8	CENTRE SUPPORT
9	DOOR PANEL
10	BACK PANEL

<p>A. $\phi 15 \times 12$</p>  <p>AX8</p>	<p>B. M6X53mm</p>  <p>BX8</p>	<p>C. M4X15mm</p>  <p>CX16</p>	<p>D. M4X15mm</p>  <p>DX26</p>
<p>E. M5X40mm</p>  <p>EX4</p>	<p>F. M5X50mm</p>  <p>FX10</p>	<p>G.</p>  <p>GX4</p>	<p>H. $\phi 8 \times 40$mm</p>  <p>HX24</p>

STEP 1 :

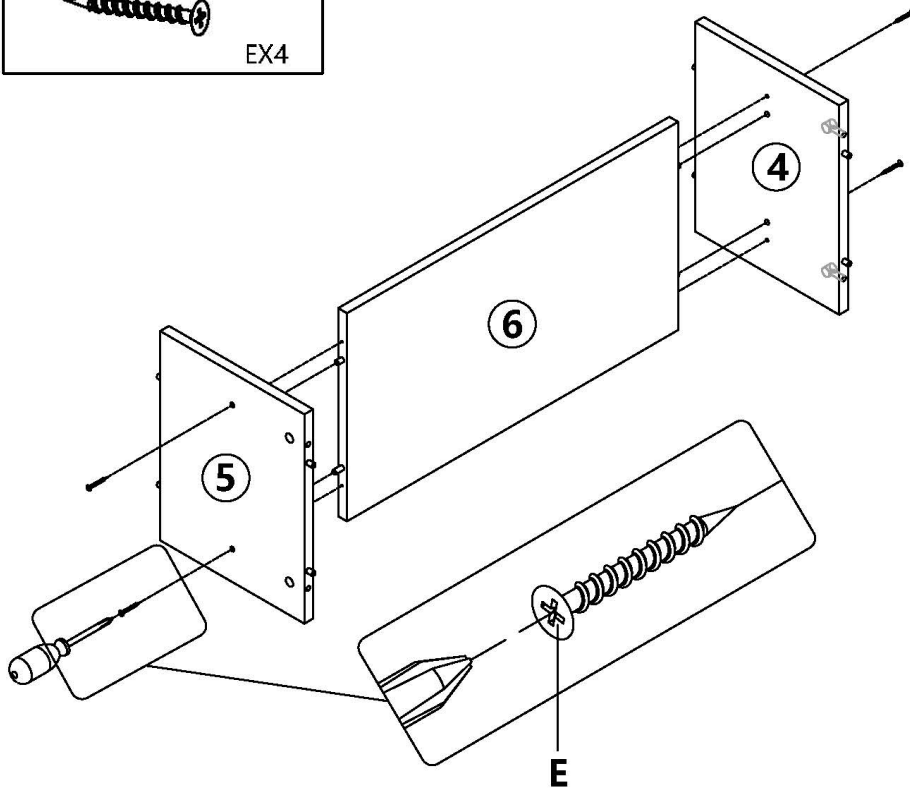


STEP 2 :

E. M5X40mm



EX4

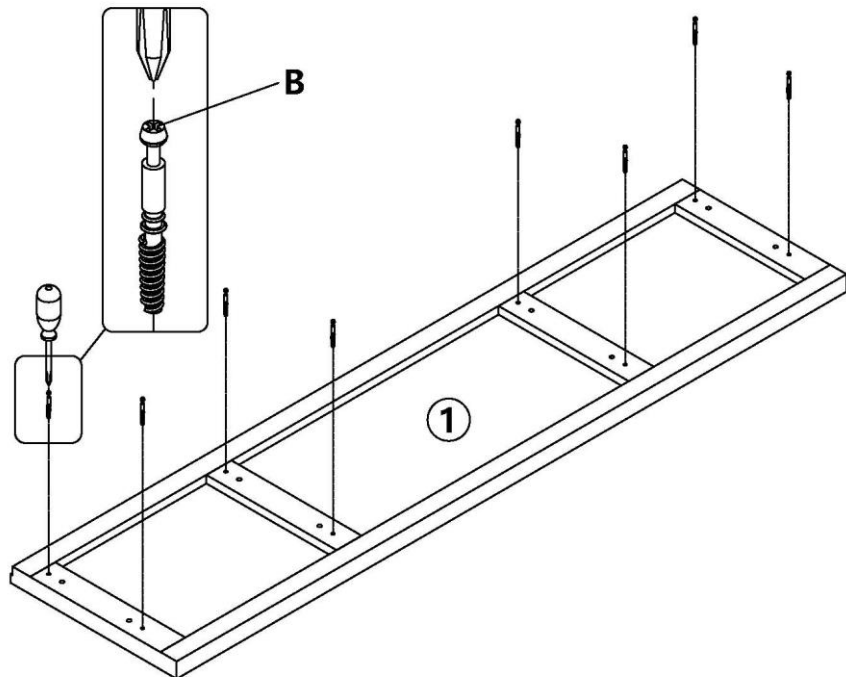


STEP 3 :

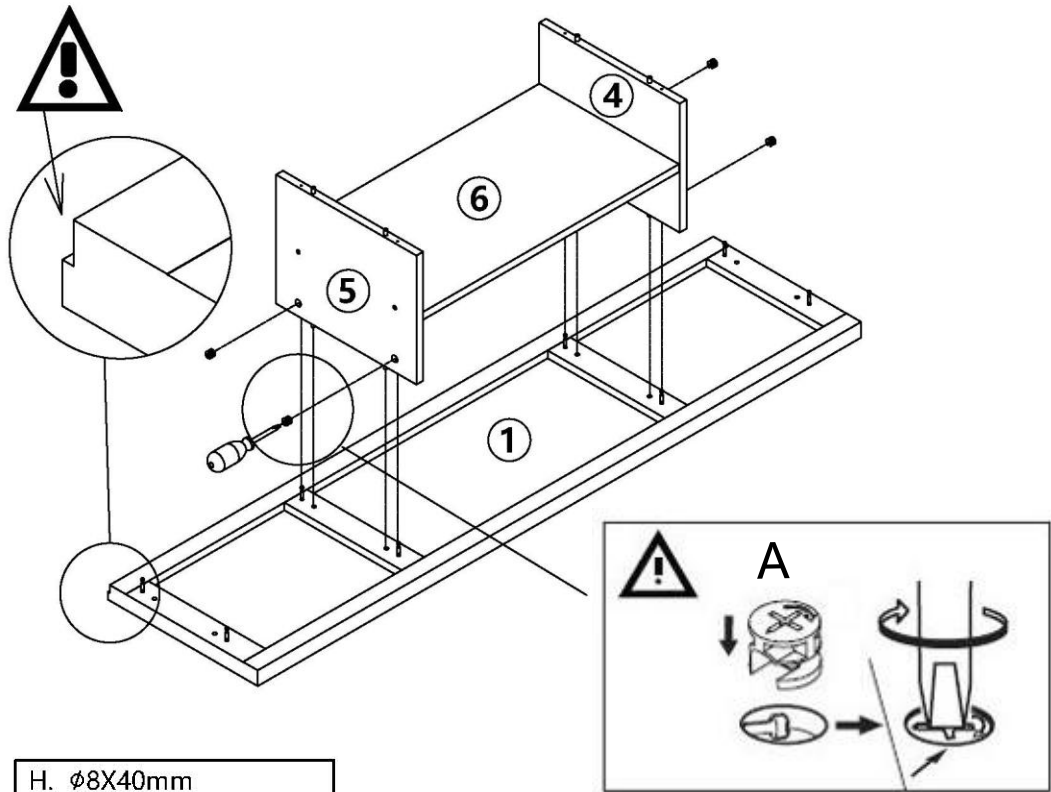
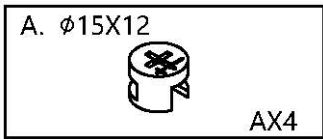
B. M6X53mm



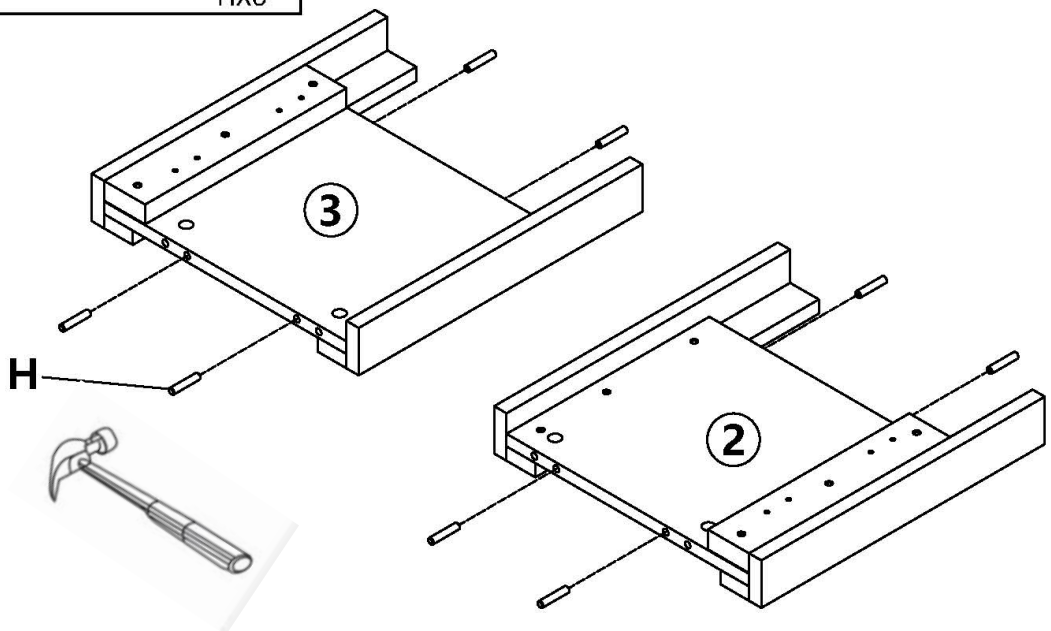
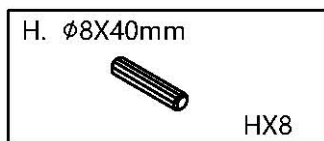
BX8



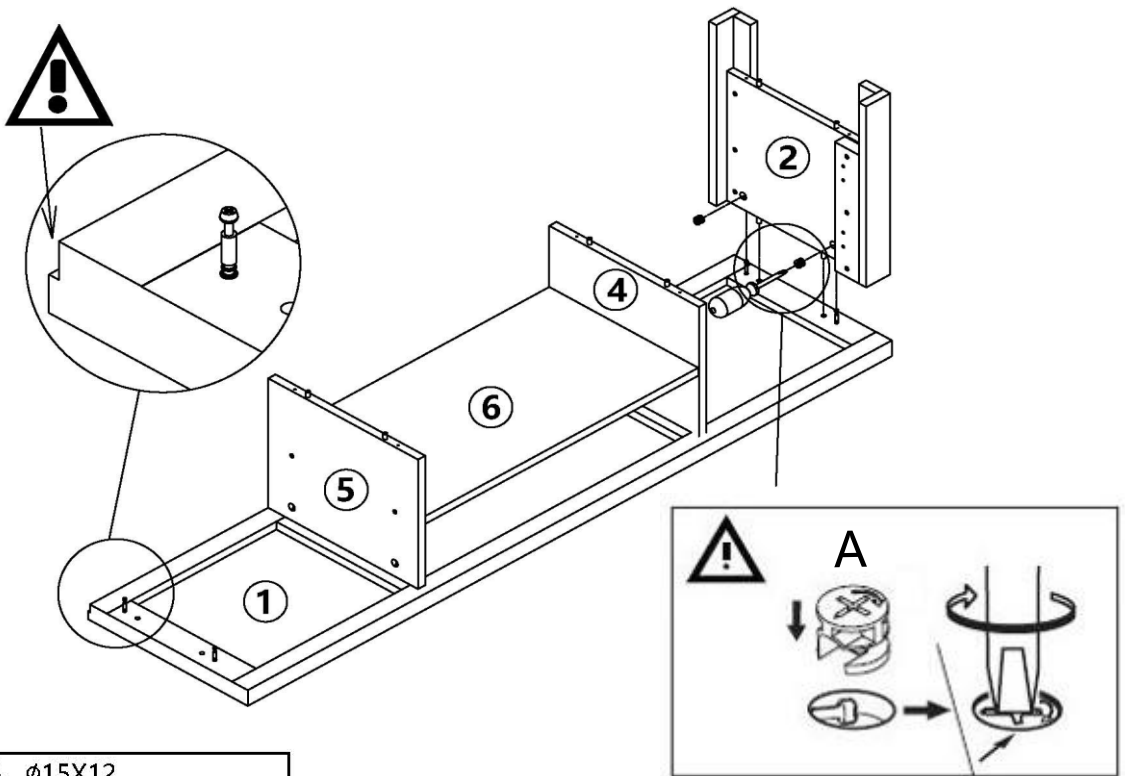
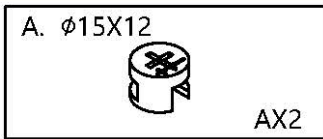
STEP 4 :



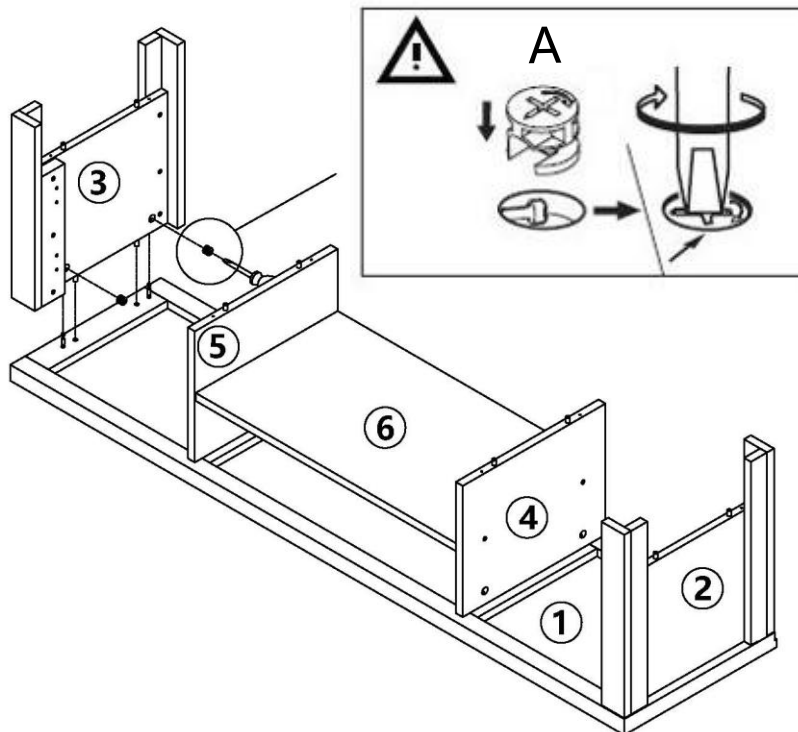
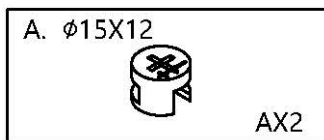
STEP 5 :





STEP 6:

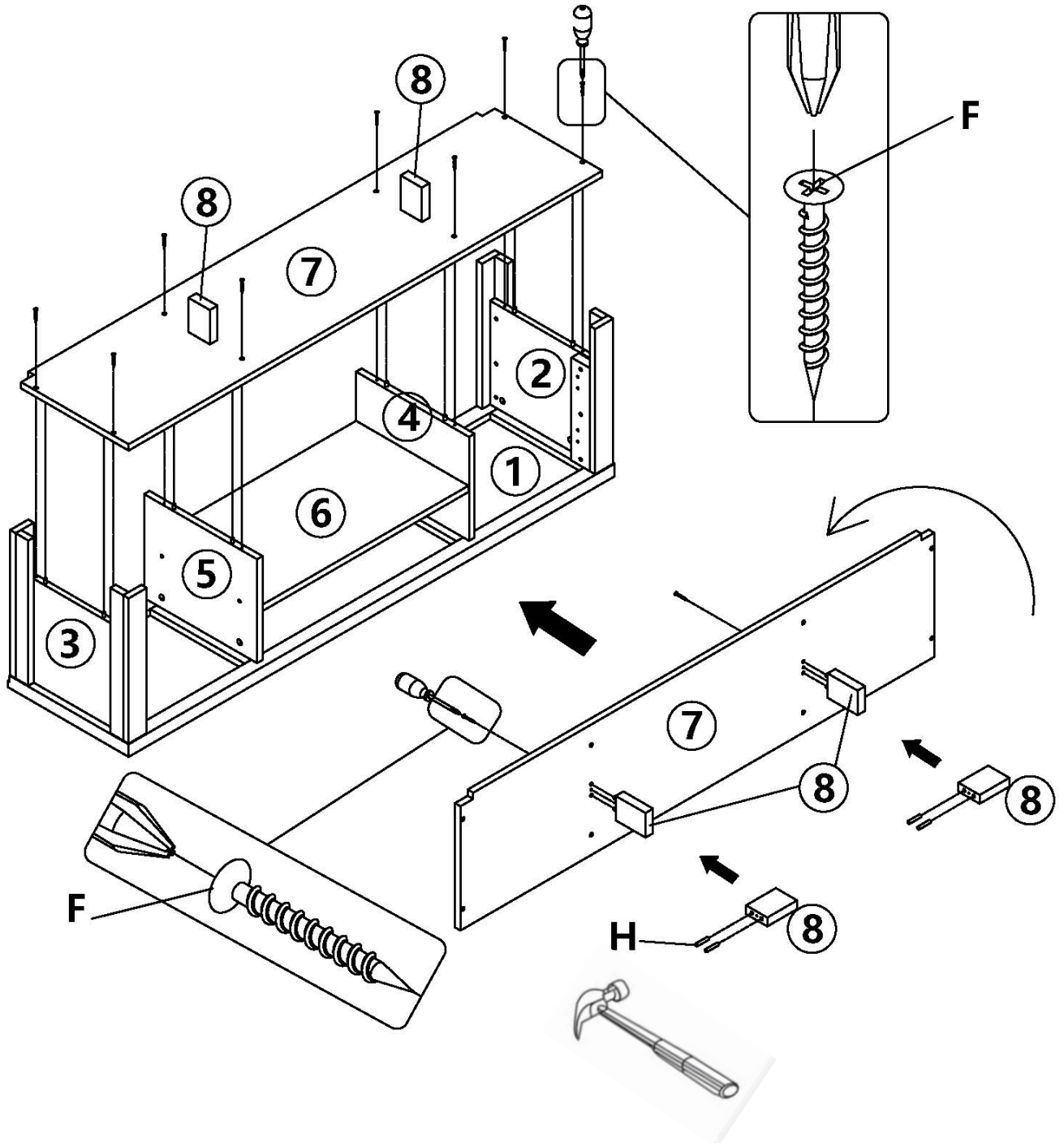


STEP 7:

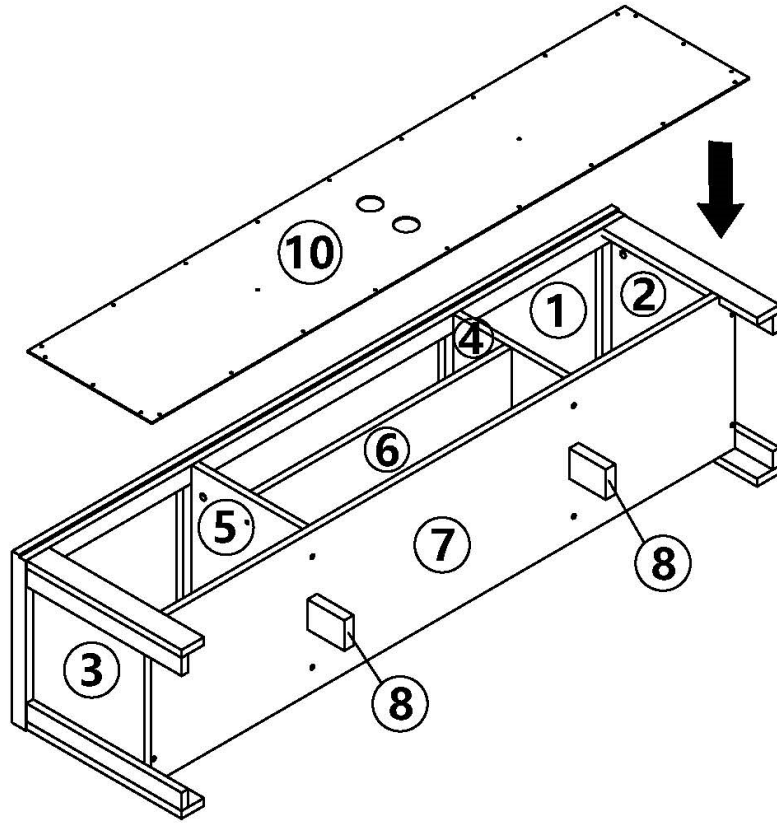


STEP 8 :

F. M5X50mm  FX10	H. ϕ 8X40mm  HX4
---	--



STEP 9:

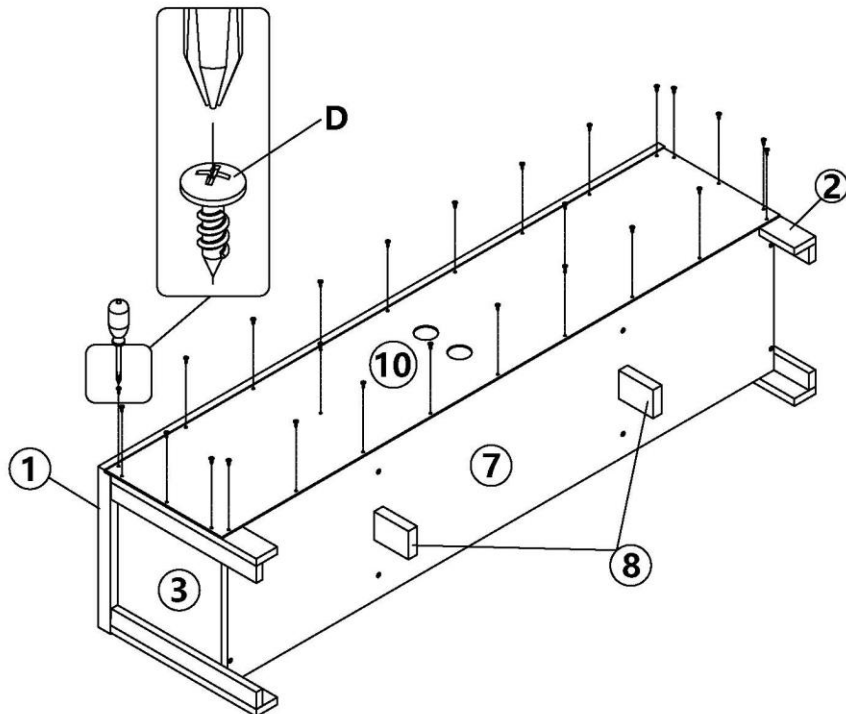


STEP 10:

D. M4X15mm



DX26



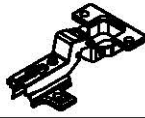
STEP 11:

C. M4X15mm

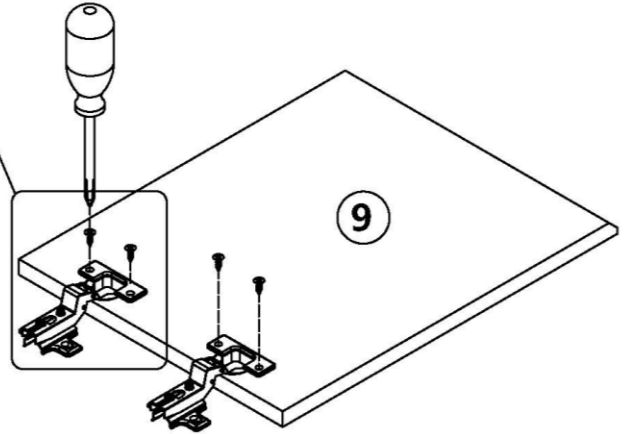
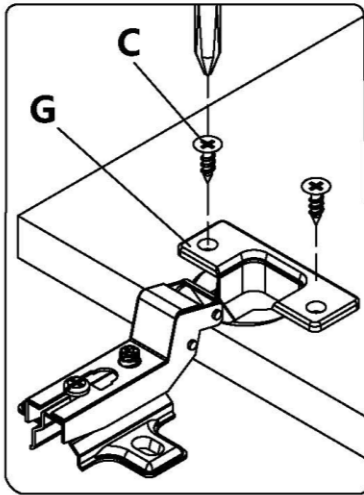


CX8

G.



GX4

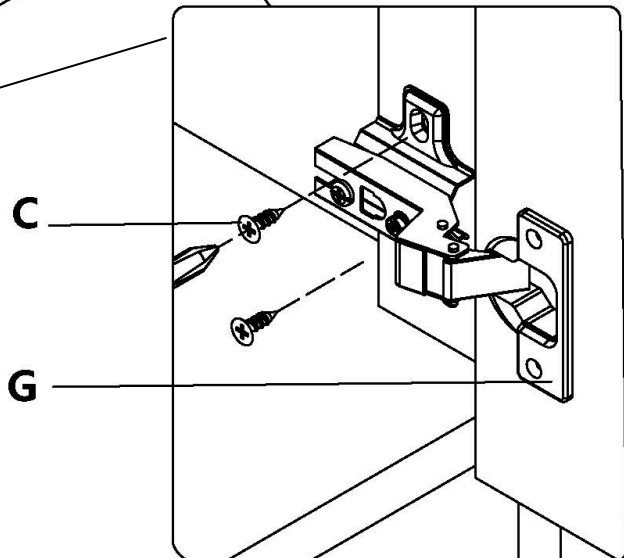
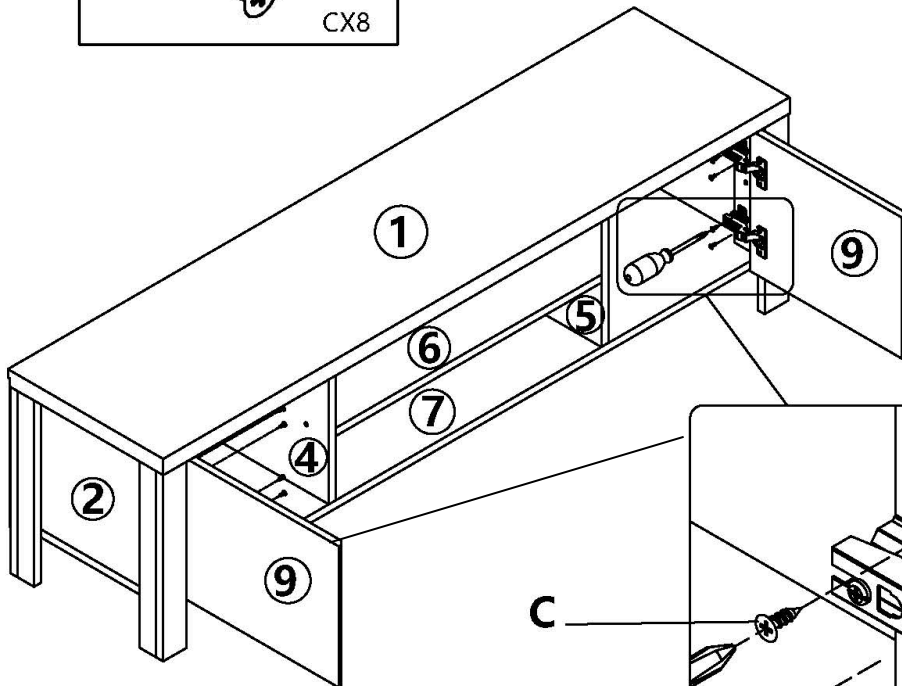


STEP 12:

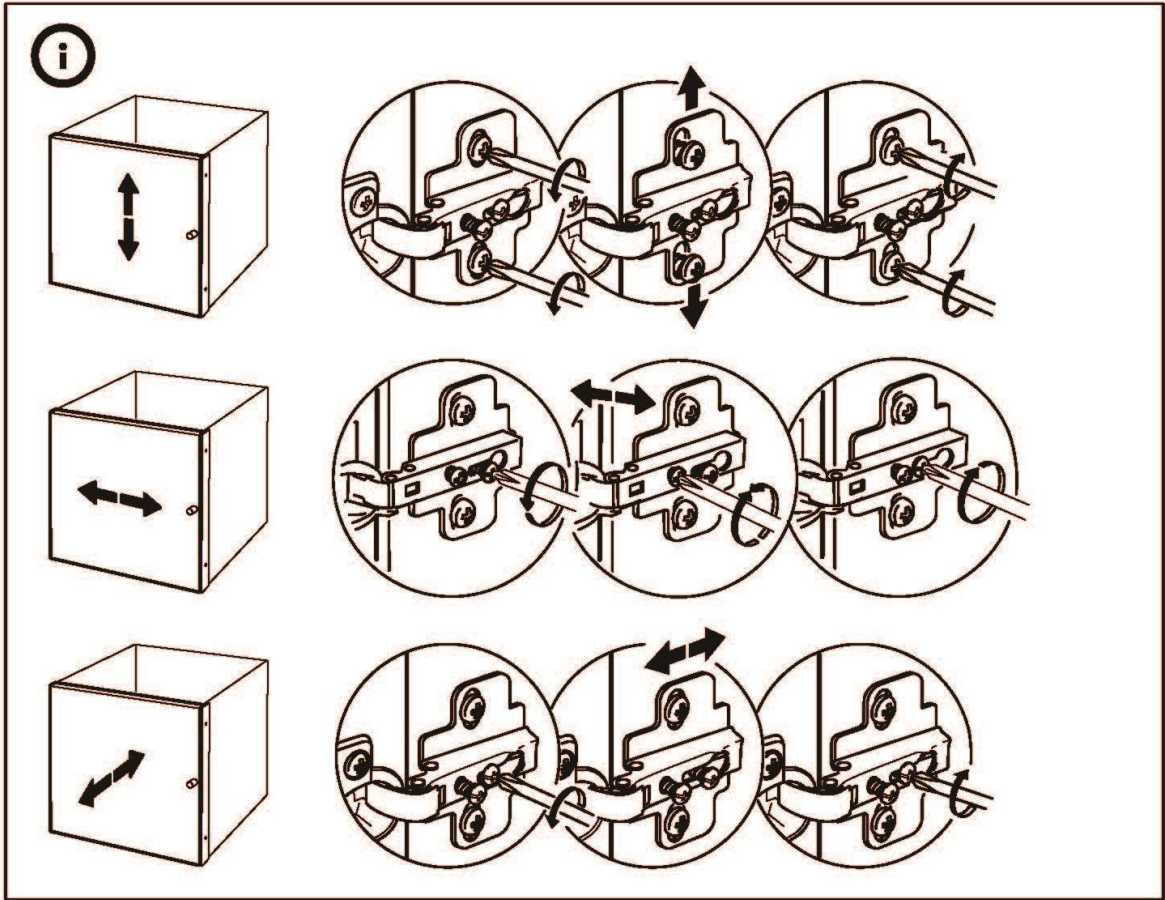
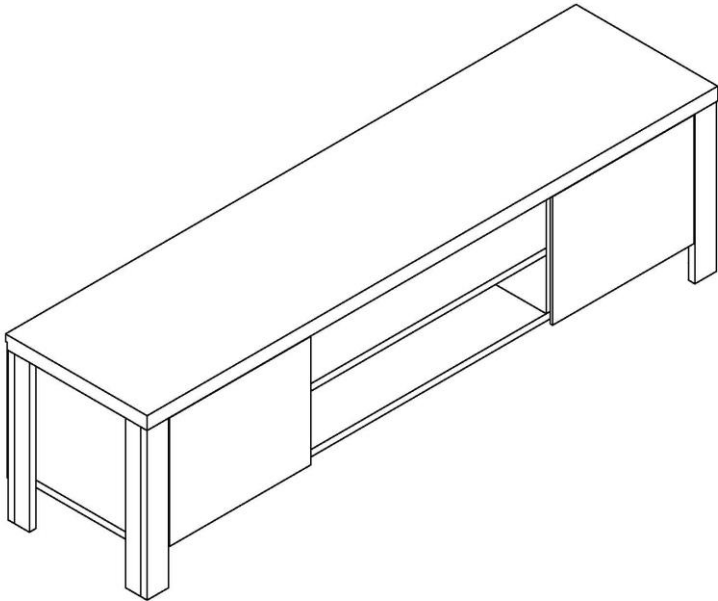
C. M4X15mm



CX8



ASSEMBLY COMPLETE



To protect your furniture, we suggest the following:

- Avoid placing your furniture in direct sunlight.
- Do not place furniture directly under windows.
- Do not place sharp materials (knife, fork, etc.) directly onto your furniture as sharp material may scrape and damage the finish.
- Do not place material with high temperature directly onto the surface of your furniture.
- Clean up spills quickly. Water left over a prolonged period of time may cause damage. Alcohol, perfume, nail polishes, aftershave and some medication may cause severe finish damage if not cleaned immediately.
- Use a clean, soft, dry, lint free absorbent cloth to clean your furniture. Do not use any detergent as they may contain ingredients that may react and damage the finish.

NOTE: If the above care advise is not adhered to your product warranty may become void